

Product Environmental Profile

Patch Cord LCS3 RJ45 U/UTP S/FTP F/UTP SF/UTP PVC LSZH Category 6A



LEGRAND'S ENVIRONMENTAL COMMITMENTS

• Incorporate environmental management into our industrial sites

Of all Legrand sites worldwide, over 85% are ISO 14001-certified (sites belonging to the Group for more than five years).

• Offer our customers environmentally friendly solutions

Develop innovative solutions to help our customers design more energy efficient, better managed and more environmentally friendly installations.

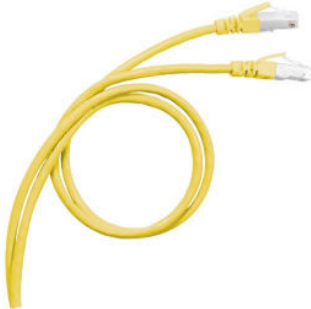
• Involve the environment in product design and provide informations in compliance with ISO 14025

Reduce the environmental impact of products over their whole life cycle.

Provide our customers with all relevant information (composition, consumption, end of life, etc.).



REFERENCE PRODUCT

Function	Transmit 1 communication signal over 1m using two RJ45 connectors according to the Ethernet 1G-BP 250MHz protocol, category 6A, for 10 years and a usage rate of 25% in compliance with the current standards ISO/IEC 11801; IEC 61156; IEC 60603-7 and ANSI/TIA 568 . The duration and rate of use correspond to the LAN/tertiary building application as defined in the table given in Annex 6.1 of the specific rules for Wires, Cables and Connection Equipment.
Reference Product	 <p>Cat.No 051780 Double Cord RJ45 1M Cat 6A SF/UTP Yellow PVC Standard AWG 26</p>

The company reserves the right to change specifications and designs without notice. All illustrations, descriptions, dimensions and weights in the document are for guidance and cannot be held binding on the company.



PRODUCTS CONCERNED

The environmental data is representative of the following products:

Catalogue Numbers
LG-051781 - LG-051782 - LG-051783 - LG-051816 - LG-051848 - LG-051849 - LG-051874 - LG-051875 - LG-051876 - LG-051877 - LG-051878 LG-051879 - LG-051880 - LG-051881 - LG-051882 - LG-051883 - LG-051884 - LG-051885 - LG-051866 - LG-051867 - LG-051868 - LG-051869 LG-051870 - LG-051871 - LG-051872 - LG-051873 - LG-051523 - LG-051524 - LG-051525 - LG-051550 - LG-051551 - LG-051552 - LG-051553 LG-051554 - LG-051786 - LG-051787 - LG-051788 - LG-051882N - LG-051883N - LG-051884N - LG-051885N

Product Environmental Profile

**Patch Cord LCS3 RJ45 U/UTP S/FTP F/UTP
SF/UTP PVC LSZH Category 6A**



■ CONSTITUENT MATERIALS

This Reference Product contains no substances prohibited by the regulations applicable at the time of its introduction to the market. It respects the restrictions on use of hazardous substances as defined in the RoHS directive 2011/65/EU amended by delegated directive (EU) 2015/863, and its amendment 2017/2102/EU.

Total weight of Reference Product	0.12 kg (all packaging included)
--	---

Product alone weight 0.05 kg					
Plastics as % of weight		Metals as % of weight		Other as % of weight	
PVC	17.3 %	Copper and copper alloys	15.9 %		
PE	3.4 %	Al	4.2 %		
PC	1.9 %	Others metals	0.4 %		
		Tin	<0.1 %		
		Steel	<0.1 %		

Packaging (alone) : 0.07 kg					
PE (Packaging)	0.2 %	Steel	0.3 %	Wood	35.8 %
				Cardboard	17.5 %
				Paper	3.1 %

Total plastics : 0.03 kg	22.8 %	Total metals : 0.02 kg	20.8 %	Total others : 0.07 kg	56.4 %
---------------------------------	---------------	-------------------------------	---------------	-------------------------------	---------------

At the date of edition of this document, the content of recycled material(s) is :

- Product alone (excluding packaging): 0 % by mass
- Packaging only: 31 % by mass



■ MANUFACTURE

This Reference Product comes from a site that have received ISO14001 certification.



■ DISTRIBUTION

Products are distributed from logistics centres located with a view to optimize transport efficiency. The Reference Product is therefore transported over an average distance of 1406 Km by Truck, 9 Km by boats from our warehouse to the local point of distribution into the market all around the world.

Packaging is compliant with applicable regulation.



■ INSTALLATION

For the installation of the product, only standard tools are needed.



■ USE

Under normal conditions of use, this product requires no servicing, no maintenance or additional products.

Product Environmental Profile

**Patch Cord LCS3 RJ45 U/UTP S/FTP F/UTP
SF/UTP PVC LSZH Category 6A**



END OF LIFE

The product end of life factors are taken into account during the design phase. Dismantling and sorting of components or materials is made as easy as possible with a view to recycling or failing that, another form of reuse.



ENVIRONMENTAL IMPACTS

The evaluation of environmental impacts examines the stages of the Reference Product life cycle: manufacturing, distribution, installation, use and end of life. It is representative from worldwide marketed products.

For each phase, the following modelling elements were taken in account:

System Limit	Manufacture A1-A3	Materials and components of the product, all transport for the manufacturing, the packaging and the waste generated by the manufacturing.
	Distribution A4	Transport between the last Group distribution centre and an average delivery point in the sales area.
	Installation A5	The end of life of the packaging.
	Use B1-B7	<ul style="list-style-type: none"> Product category: Communication and data patch cord. Use scenario: Continuous operation (100% of the time) for 10 years at 25% of rated load. This modelling period does not constitute a maximum durability requirement. Energy model: Electricity Mix_Low voltage_2018_China_CN.
	End of life C1-C4	Choice of end-of-life by default model for PCR-ed4-EN-2021 09 06.
D Module		Module D is calculated according to PCR-ed4-EN-2021 09 06 based on the materials recycled and the modelled end-of-life scenario. It expresses the net benefits and loads beyond the boundaries of the system, and are not to be included in the life cycle totals.
Software and data-base used		The indicators set used is « Indicators for PEF EF 3.0 (compliance: PEP ed.4, EN15804+A2) v2.0 » EIME V6 & its database CODDE-2023-02

Unless otherwise indicated the modelling energetic mix are those integrated in the data modules used from the aforementioned database.

Product Environmental Profile

Patch Cord LCS3 RJ45 U/UTP S/FTP F/UTP SF/UTP PVC
LSZH Category 6A



ENVIRONMENTAL IMPACTS

	Total Life Cycle		Manufacturing	Distribution	Installation	Use ^(*)			End of Life	Module D
			A1-A3	A4	A5	Total B1-B7	B2	B6	C1-C4	
Climate change - total	6.26E-01	kg CO ₂ eq.	3.06E-01	8.23E-03	5.68E-03	2.14E-01	0*	2.14E-01	9.11E-02	-6.24E-02
Climate change - fossil fuels	6.13E-01	kg CO ₂ eq.	2.96E-01	8.23E-03	5.68E-03	2.14E-01	0*	2.14E-01	8.88E-02	-5.89E-02
Climate change - biogenics	1.21E-02	kg CO ₂ eq.	9.81E-03	0*	0*	3.08E-05	0*	3.08E-05	2.27E-03	-3.45E-03
Climate change - land use and land use transformation	3.47E-06	kg CO ₂ eq.	3.43E-06	0*	0*	0*	0*	0*	3.83E-08	0.00E+00
Ozone depletion	4.94E-08	kg CFC-11 eq.	4.60E-08	1.26E-11	1.05E-10	1.22E-09	0*	1.22E-09	2.12E-09	-1.46E-08
Acidification (AP)	7.97E-03	mole of H ⁺ eq.	5.99E-03	5.25E-05	4.90E-05	1.61E-03	0*	1.61E-03	2.77E-04	-2.18E-03
Freshwater eutrophication	9.69E-05	kg P eq.	2.47E-05	0*	1.34E-08	4.53E-08	0*	4.53E-08	7.21E-05	-2.44E-07
Marine aquatic eutrophication	5.86E-04	kg of N eq.	3.39E-04	2.45E-05	2.31E-05	1.72E-04	0*	1.72E-04	2.74E-05	-5.41E-05
Terrestrial eutrophication	6.62E-03	mole of N eq.	3.76E-03	2.69E-04	2.41E-04	1.94E-03	0*	1.94E-03	4.03E-04	-6.15E-04
Photochemical ozone formation	2.20E-03	kg NMVOC eq.	1.42E-03	6.78E-05	5.86E-05	5.74E-04	0*	5.74E-04	8.78E-05	-3.05E-04
Depletion of abiotic resources - elements	5.46E-04	kg Sb eq.	5.45E-04	0*	0*	0*	0*	0*	1.79E-06	-1.53E-05
Depletion of abiotic resources - fossil fuels	1.00E+01	MJ	6.13E+00	1.15E-01	6.17E-02	3.47E+00	0*	3.47E+00	2.69E-01	-1.04E+00
Water requirement	4.21E-01	m ³ deprivation worldwide eq.	3.36E-01	0*	6.09E-03	9.46E-03	0*	9.46E-03	6.89E-02	-9.66E-02
Emission of fine particles	4.73E-08	incidence of diseases	3.64E-08	4.26E-10	2.59E-10	8.76E-09	0*	8.76E-09	1.48E-09	-1.38E-08

* represents less than 0.01% of the total life cycle of the reference flow

(!) For the Use phase and according to the current PCR, the information modules B1, B3, B4, B5 and B7, all having indicator values equal to «0» (zero), are not listed in this table

In accordance with current PCR rules, the environmental indicator values in the «Module D» column must not be summed with the values in the «Total Life Cycle» column

Product Environmental Profile

Patch Cord LCS3 RJ45 U/UTP S/FTP F/UTP SF/UTP PVC LSZH Category 6A



	Total Life Cycle		Manufacturing	Distribution	Installation	Use ^(*)			End of Life	Module D
			A1-A3	A4	A5	Total B1-B7	B2	B6	C1-C4	
Ionizing radiation, human health	7.91E+00	kBq of U235 eq.	7.88E+00	0*	0*	2.55E-02	0*	2.55E-02	4.98E-03	-3.15E+00
Ecotoxicity (fresh water)	4.45E+01	CTUe	1.71E+01	5.54E-03	3.96E-01	4.04E+00	0*	4.04E+00	2.30E+01	-4.81E+00
Human toxicity, carcinogenic effects	4.72E-07	CTUh	4.72E-07	0*	5.25E-10	0*	0*	0*	9.79E-11	-2.08E-07
Human toxicity, non-carcinogenic effects	8.61E-08	CTUh	7.86E-08	1.57E-11	1.83E-10	1.56E-09	0*	1.56E-09	5.75E-09	-2.70E-08
Impacts related to land use/soil quality	3.06E-01	-	9.17E-02	0*	0*	6.21E-04	0*	6.21E-04	2.14E-01	2.18E-07
Use of renewable primary energy, excluding renewable primary energy resources used as raw materials	6.73E-01	MJ	2.50E-01	1.53E-04	6.84E-05	3.67E-01	0*	3.67E-01	5.60E-02	-7.92E-02
Use of renewable primary energy resources used as raw materials	9.49E-01	MJ	9.49E-01	0*	0*	0*	0*	0*	0*	3.59E-04
Total use of renewable primary energy resources (primary energy and primary energy resources used as raw materials)	1.62E+00	MJ	1.20E+00	0*	0*	3.67E-01	0*	3.67E-01	5.60E-02	-7.88E-02
Use of non-renewable primary energy, excluding non-renewable primary energy resources used as raw materials	9.21E+00	MJ	5.29E+00	1.15E-01	6.17E-02	3.47E+00	0*	3.47E+00	2.69E-01	-1.04E+00
Use of non-renewable primary energy resources used as raw materials	8.40E-01	MJ	8.40E-01	0*	0*	0*	0*	0*	0*	0.00E+00
Total use of non-renewable primary energy resources (primary energy and primary energy resources used as raw materials)	1.00E+01	MJ	6.13E+00	1.15E-01	6.17E-02	3.47E+00	0*	3.47E+00	2.69E-01	-1.04E+00

* represents less than 0.01% of the total life cycle of the reference flow

(!) For the Use phase and according to the current PCR, the information modules B1, B3, B4, B5 and B7, all having indicator values equal to «0» (zero), are not listed in this table

In accordance with current PCR rules, the environmental indicator values in the «Module D» column must not be summed with the values in the «Total Life Cycle» column

Product Environmental Profile

Patch Cord LCS3 RJ45 U/UTP S/FTP F/UTP SF/UTP PVC LSZH Category 6A



	Total Life Cycle		Manufacturing	Distribution	Installation	Use ^(*)			End of Life	Module D
			A1-A3	A4	A5	Total B1-B7	B2	B6	C1-C4	
Use of secondary materials	2.03E-02	kg	2.03E-02	0*	0*	0*	0*	0*	0*	0.00E+00
Use of renewable secondary fuels	0.00E+00	MJ	0*	0*	0*	0*	0*	0*	0*	0.00E+00
Use of non-renewable secondary fuels	0.00E+00	MJ	0*	0*	0*	0*	0*	0*	0*	0.00E+00
Net use of fresh water	9.84E-03	m ³	7.87E-03	0*	1.42E-04	2.20E-04	0*	2.20E-04	1.61E-03	-2.25E-03
Hazardous waste disposed of	6.30E+00	kg	6.25E+00	0*	0*	6.51E-03	0*	6.51E-03	4.15E-02	-1.36E+00
Non-hazardous waste disposed of	2.72E-01	kg	1.74E-01	2.89E-04	6.60E-02	3.74E-02	0*	3.74E-02	0*	-8.75E-02
Radioactive waste disposed of	1.38E-04	kg	1.28E-04	2.05E-07	1.20E-07	1.53E-06	0*	1.53E-06	8.18E-06	-7.08E-05
Components for re-use	0.00E+00	kg	0*	0*	0*	0*	0*	0*	0*	0.00E+00
Materials for recycling	1.94E-02	kg	4.64E-03	0*	0*	0*	0*	0*	1.48E-02	0.00E+00
Materials for energy recovery	0.00E+00	MJ by energy vector	0*	0*	0*	0*	0*	0*	0*	0.00E+00
Exported energy	0.00E+00	MJ	0*	0*	0*	0*	0*	0*	0*	0.00E+00
Total use of primary energy during the life cycle	1.17E+01	MJ	7.33E+00	1.15E-01	6.17E-02	3.84E+00	0*	3.84E+00	3.25E-01	-1.12E+00

Biogenic carbon content of the product	0.00E+00	kg of C	0*	0*	0*	0*	0*	0*	0*	0.00E+00
Biogenic carbon content of the associated packaging	2.35E-02	kg of C	2.35E-02	0*	0*	0*	0*	0*	0*	0.00E+00

For biogenic carbon storage, the methodology use is 0/0

* represents less than 0,01% of the total life cycle of the reference flow

(!) For the Use phase and according to the current PCR, the information modules B1, B3, B4, B5 and B7, all having indicator values equal to «0» (zero), are not listed in this table

In accordance with current PCR rules, the environmental indicator values in the «Module D» column must not be summed with the values in the «Total Life Cycle» column

The values of the indicators defined in the PCR-ed4-EN-2021 09 06 are available in the digital database of pep-ecopassport.org website.

For all products concerned (see § «products concerned»), take these impacts values :

Product Environmental Profile

Patch Cord LCS3 RJ45 U/UTP S/FTP F/UTP SF/UTP PVC LSZH Category 6A



Associated references		Coefficient of extrapolation of environmental indicators					
		Total life Cycle	Manufacturing	Distribution	Installation	Use	End of life
051780	SF/UTP Yellow PVC Standard AWG 26 plug/plug 1m	1.0	1.0	1.0	1.0	1.0	1.0
051781	SF/UTP Yellow PVC Standard AWG 26 plug/plug 2m	1.8	1.8	1.5	1.1	1.1	1.8
051782	SF/UTP Yellow PVC Standard AWG 26 plug/plug 3m	2.6	2.6	2.1	1.4	1.2	2.6
051783	SF/UTP Yellow PVC Standard AWG 26 plug/plug 5m	4.2	4.3	3.2	1.6	1.5	4.3
051816	SF/UTP Yellow PVC Standard AWG 26 plug/plug 0.5m	0.6	0.6	0.7	1.1	0.9	0.6
051848	SF/UTP Yellow PVC Standard AWG 26 plug/plug 0.3m	0.4	0.4	0.5	0.4	0.9	0.4
051849	SF/UTP Yellow PVC Standard AWG 26 plug/plug 10m	6.8	6.9	3.0	2.3	2.1	6.9
051874	U/UTP Green LSZH Standard AWG 26 plug/plug 1m	0.9	0.9	0.9	1.0	1.0	0.9
051875	U/UTP Green LSZH Standard AWG 26 plug/plug 2m	1.6	1.6	1.5	1.0	1.1	1.6
051876	U/UTP Green LSZH Standard AWG 26 plug/plug 3m	2.4	2.4	1.7	1.3	1.2	2.4
051877	U/UTP Green LSZH Standard AWG 26 plug/plug 5m	3.8	3.8	3.1	1.5	1.5	3.8
051878	U/UTP Red LSZH Standard AWG 26 plug/plug 1m	0.9	0.9	0.9	0.9	1.0	0.9
051879	U/UTP Red LSZH Standard AWG 26 plug/plug 2m	1.6	1.6	1.5	0.5	1.1	1.6
051880	U/UTP Red LSZH Standard AWG 26 plug/plug 3m	2.4	2.4	1.8	1.4	1.2	2.4
051881	U/UTP Red LSZH Standard AWG 26 plug/plug 5m	3.8	3.8	2.7	1.5	1.5	3.8
051882	U/UTP Yellow PVC Standard AWG 26 plug/plug 1m	1.0	1.0	1.0	0.5	1.0	1.0
051883	U/UTP Yellow PVC Standard AWG 26 plug/plug 2m	1.8	1.8	1.6	0.6	1.1	1.8
051884	U/UTP Yellow PVC Standard AWG 26 plug/plug 3m	2.6	2.6	1.7	0.6	1.2	2.6
051885	U/UTP Yellow PVC Standard AWG 26 plug/plug 5m	4.2	4.3	2.6	1.5	1.5	4.3
051866	S/FTP Green LSZH Standard AWG 26 plug/plug 1m	1.1	1.1	1.0	0.5	1.0	1.1
051867	S/FTP Green LSZH Standard AWG 26 plug/plug 2m	1.9	1.9	1.5	1.1	1.1	1.9
051868	S/FTP Green LSZH Standard AWG 26 plug/plug 3m	2.8	2.8	2.0	1.4	1.2	2.8
051869	S/FTP Green LSZH Standard AWG 26 plug/plug 5m	4.5	4.6	3.0	1.5	1.5	4.6
051870	S/FTP Red LSZH Standard AWG 26 plug/plug 1m	1.1	1.1	1.0	0.4	1.0	1.1
051871	S/FTP Red LSZH Standard AWG 26 plug/plug 2m	1.9	1.9	1.5	1.1	1.1	1.9
051872	S/FTP Red LSZH Standard AWG 26 plug/plug 3m	2.8	2.8	2.1	1.5	1.2	2.8
051873	S/FTP Red LSZH Standard AWG 26 plug/plug 5m	4.5	4.6	3.1	1.5	1.5	4.6
051523	S/FTP Yellow LSZH Standard AWG 26 plug/plug 8m	7.1	7.2	0.9	3.4	1.8	7.2
051524	S/FTP Yellow LSZH Standard AWG 26 plug/plug 15m	13.2	13.3	1.6	6.1	2.7	13.3
051525	S/FTP Yellow LSZH Standard AWG 26 plug/plug 20m	17.5	17.7	2.1	6.4	3.3	17.7
051550	S/FTP Yellow LSZH High Density AWG28 26 plug/plug 0.5m	0.6	0.6	0.6	0.9	0.9	0.6
051551	S/FTP Yellow LSZH High Density AWG28 26 plug/plug 1m	1.1	1.1	0.8	0.9	1.0	1.1
051552	S/FTP Yellow LSZH High Density AWG28 26 plug/plug 2m	1.9	1.9	1.3	0.9	1.1	1.9
051553	S/FTP Yellow LSZH High Density AWG28 26 plug/plug 3m	2.8	2.8	1.6	1.1	1.2	2.8
051554	S/FTP Yellow LSZH High Density AWG28 26 plug/plug 5m	4.5	4.6	2.3	1.5	1.5	4.6
051786	S/FTP Yellow LSZH Standard AWG 26 stripped/plug cords 8m	7.0	7.1	1.0	3.4	1.4	7.1
051787	S/FTP Yellow LSZH Standard AWG 26 stripped/plug cords 15m	13.1	13.2	1.7	6.1	2.3	13.2
051788	S/FTP Yellow LSZH Standard AWG 26 stripped/plug cords 20m	17.4	17.6	2.2	6.7	2.9	17.6
051882N	U/UTP Yellow PVC Standard AWG 26 plug/plug 1m	1.0	1.0	1.0	0.5	1.0	1.0
051883N	U/UTP Yellow PVC Standard AWG 26 plug/plug 2m	1.8	1.8	1.6	0.6	1.1	1.8
051884N	U/UTP Yellow PVC Standard AWG 26 plug/plug 3m	2.6	2.6	1.7	0.6	1.2	2.6
051885N	U/UTP Yellow PVC Standard AWG 26 plug/plug 5m	4.5	4.6	2.6	1.5	1.5	4.6

Registration number: LGRP-01766-V01.01-EN	Drafting rules: PEP-PCR-ed4-2021 09 06
Verifier accreditation N°: VH02	Information and reference documents: www.pep-ecopassport.org
Date of issue: 10-2023	Validity period: 5 years
Independent verification of the declaration and data, in compliance with ISO 14025 : 2006	
Internal <input checked="" type="checkbox"/> External <input type="checkbox"/>	
The PCR review was conducted by a panel of experts chaired by Julie ORGELET (DDemain)	
PEP are compliant with XP C08-100-1 :2016 or EN 50693 :2019	
The elements of the present PEP cannot be compared with elements from another program	
Document in compliance with ISO 14025 : 2006: «Environmental labels and declarations. Type III environmental declarations»	



Environmental data in alignment with EN 15804: 2012 + A2 : 2019